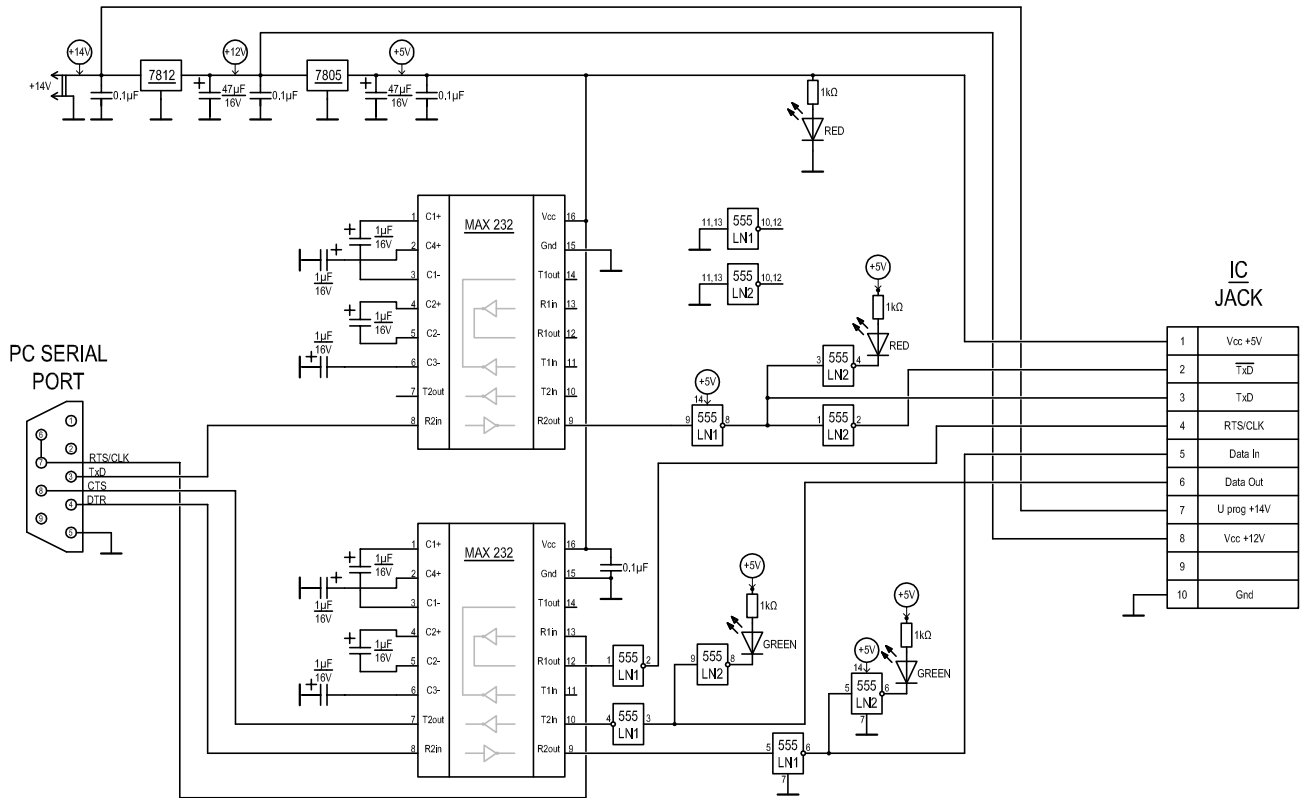


PonyProg 2 by Vovan



IC JACK	
1	Vcc +5V
2	TxD
3	TxD
4	RTS/CLK
5	Data In
6	Data Out
7	U prog +14V
8	Vcc +12V
9	
10	Gnd